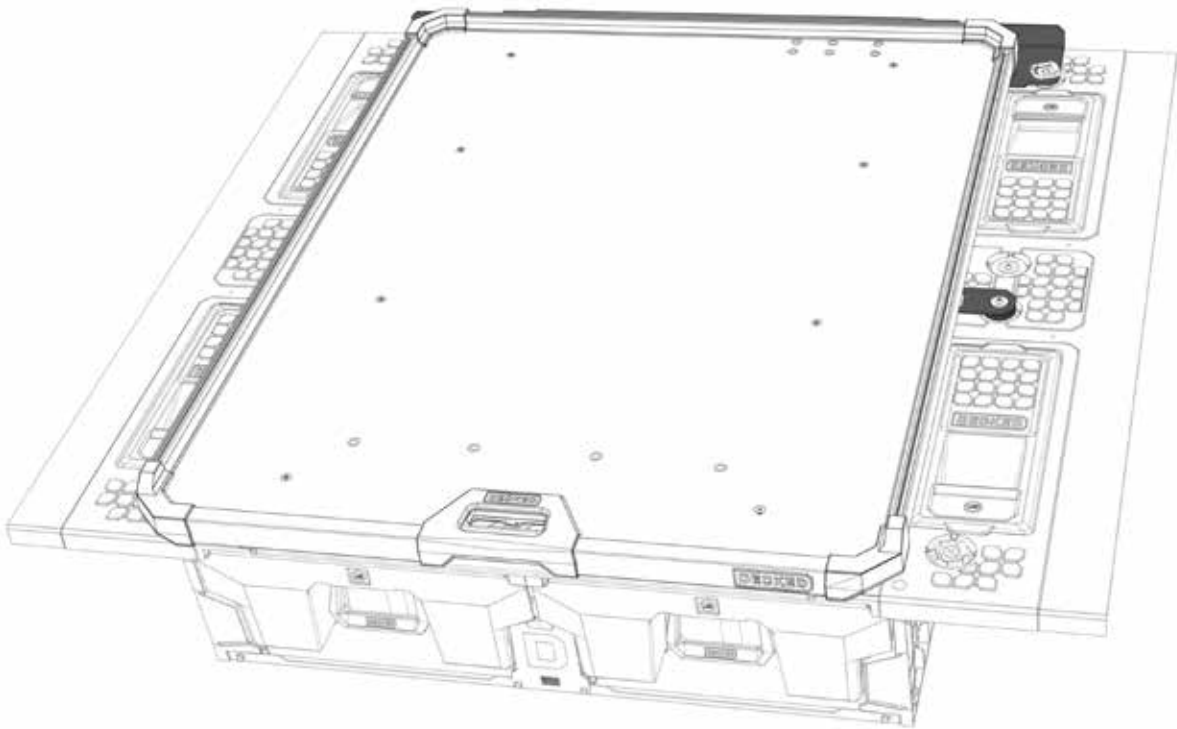


**DECKED**

# INSTALLATION INSTRUCTIONS\*



## CARGOGLIDE 600/1000 TO DECKED DRAWER SYSTEM

ALL WIDTHS  
FS/MS/COMPACT TRUCKS

(NOT COMPATIBLE WITH VANS OR SERVICE BODIES)

\*Trust us on this one; don't go commando and attempt your install without reading.  
You'll just cuss a bunch and create even more chaos in your truck.

URC621

# TOOLS REQUIRED

---

- 3/16" hex wrench
- 1/2" deep socket or 1/2" socket with extender
- 5/32" hex wrench
- tape
- Trusted friend with a weak mind and a strong back.

# INSTALL VIDEO

---

High tech link to video here or you can visit [decked.com/installvideo](https://decked.com/installvideo)



# CONTENTS

---

BIG DUMB BRACKET (L-SHAPED)	1
BIG FLAT BRACKET	1
ELEVATOR BOLTS	8
LOCKNUTS	8
SPACER PUCKS	4
NYLON WASHERS	4
LARGE FENDER WASHERS	4
2.5" REPLACEMENT TIE DOWN BOLTS	4
1/2" BUTTON HEAD CAP SCREW	4

# HEY! TORQUE BOY

## READ BEFORE YOU INSTALL

---

Welcome to DECKED! In a world of crappy instructions, bad advice, and questionable sources of truth, we are here to make sure that your install goes as smoothly as possible, saving you headaches and heartburn. That said, your part is to read the darned instructions!

This install manual is for the new (late 2023) DECKED drawer systems which have stash bins and D-Ring tie downs.

Installing a CargoGlide on a new DECKED drawer system requires the installation of the new DECKED no-drill brackets included in this kit.

Does your DECKED drawer system have ammo cans?  
This CG600/CG1000 is not compatible with your drawer system.

Questions? Please call us: 208-806-0251.

# STEP 1: PREP YOUR BED

---

1. Install the DECKED drawer system as instructed.
2. For all full size and midsize trucks: Remove the two (2) CABSIDE corner D-Rings from the drawer system. Save the hardware. You will not reuse the bolts.

See DETAIL A on next page.

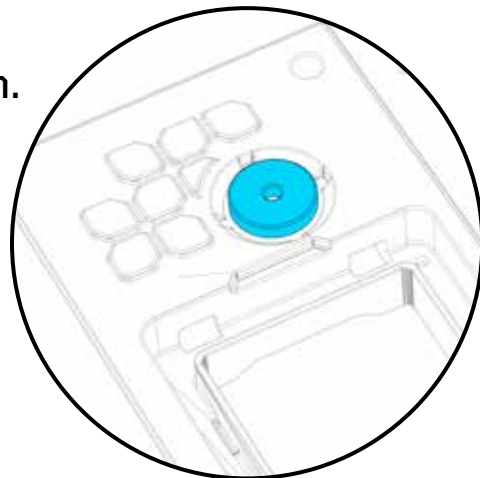
3. Remove two middle D-Ring bolts and washers (or D-Rings if you have them installed):

**FULL SIZE** trucks (shown): Remove the TAILGATE side mid-panel bolts and washers only. You'll use new washers here.

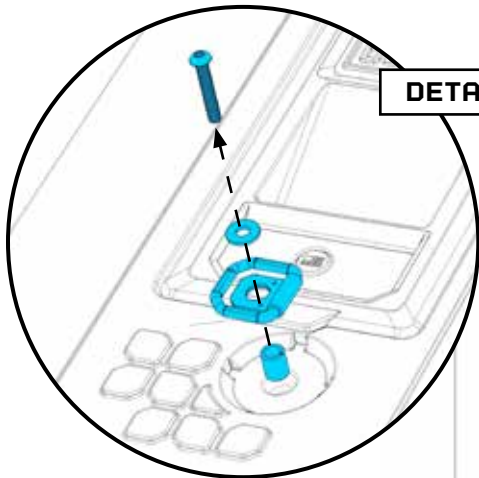
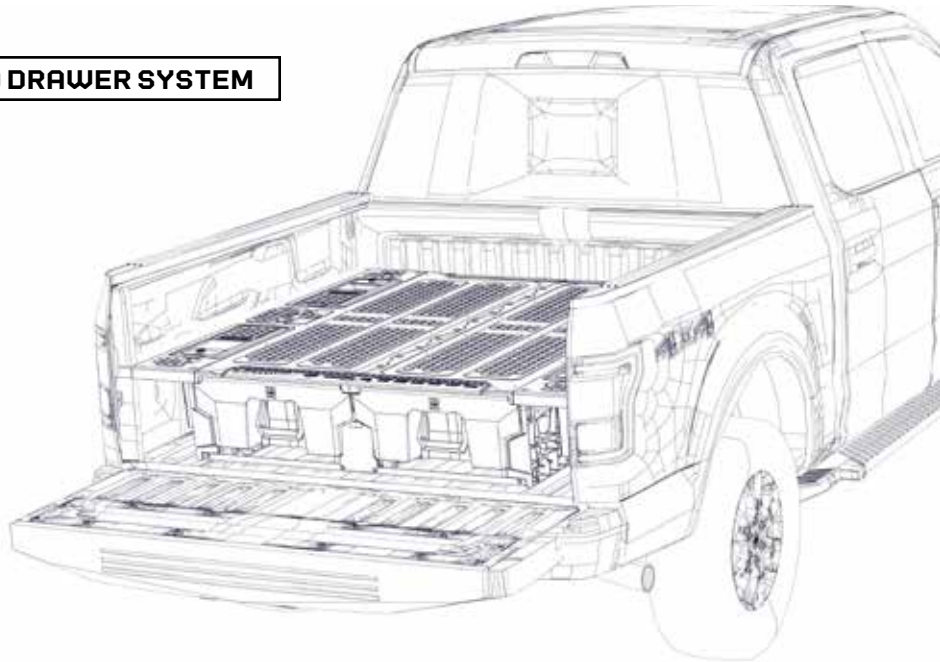
**MIDSIZE** trucks: Remove the two mid-panel bolts and washers. You'll use new washers here.

See DETAIL B on next page.

4. Install one spacer puck into each depression.

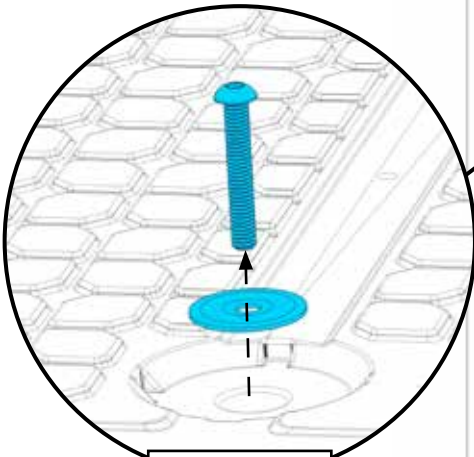


**INSTALL DECKED DRAWER SYSTEM**

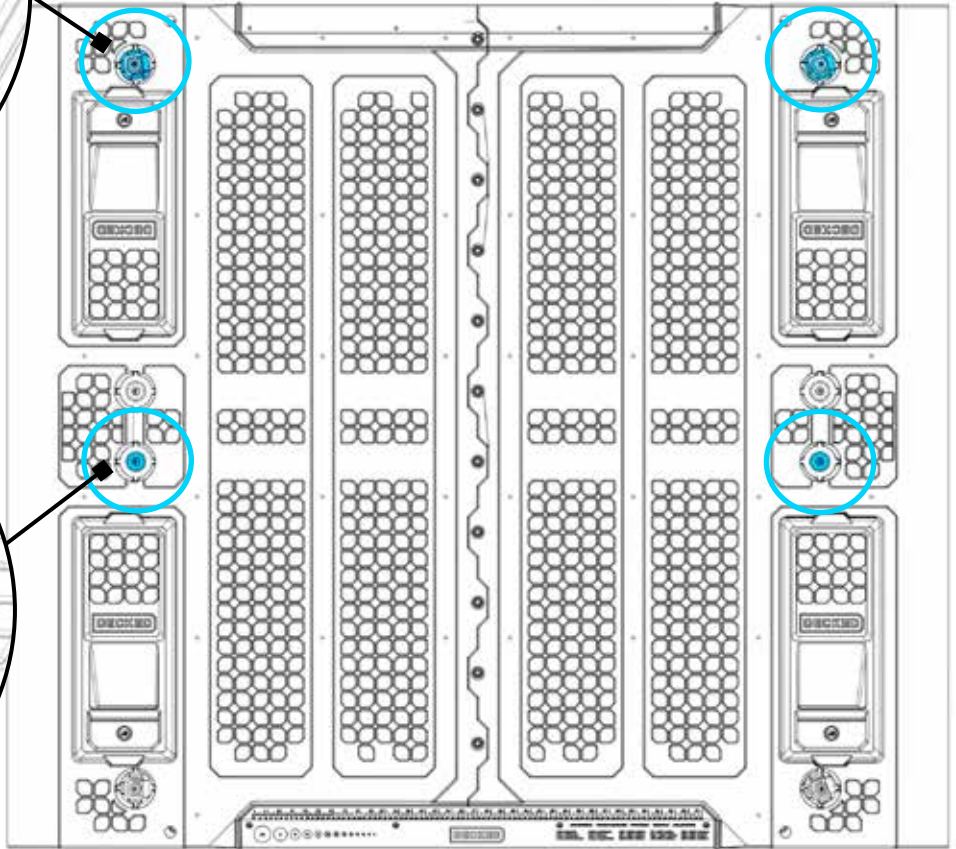


**DETAIL A**

**REMOVE THESE**



**DETAIL B**

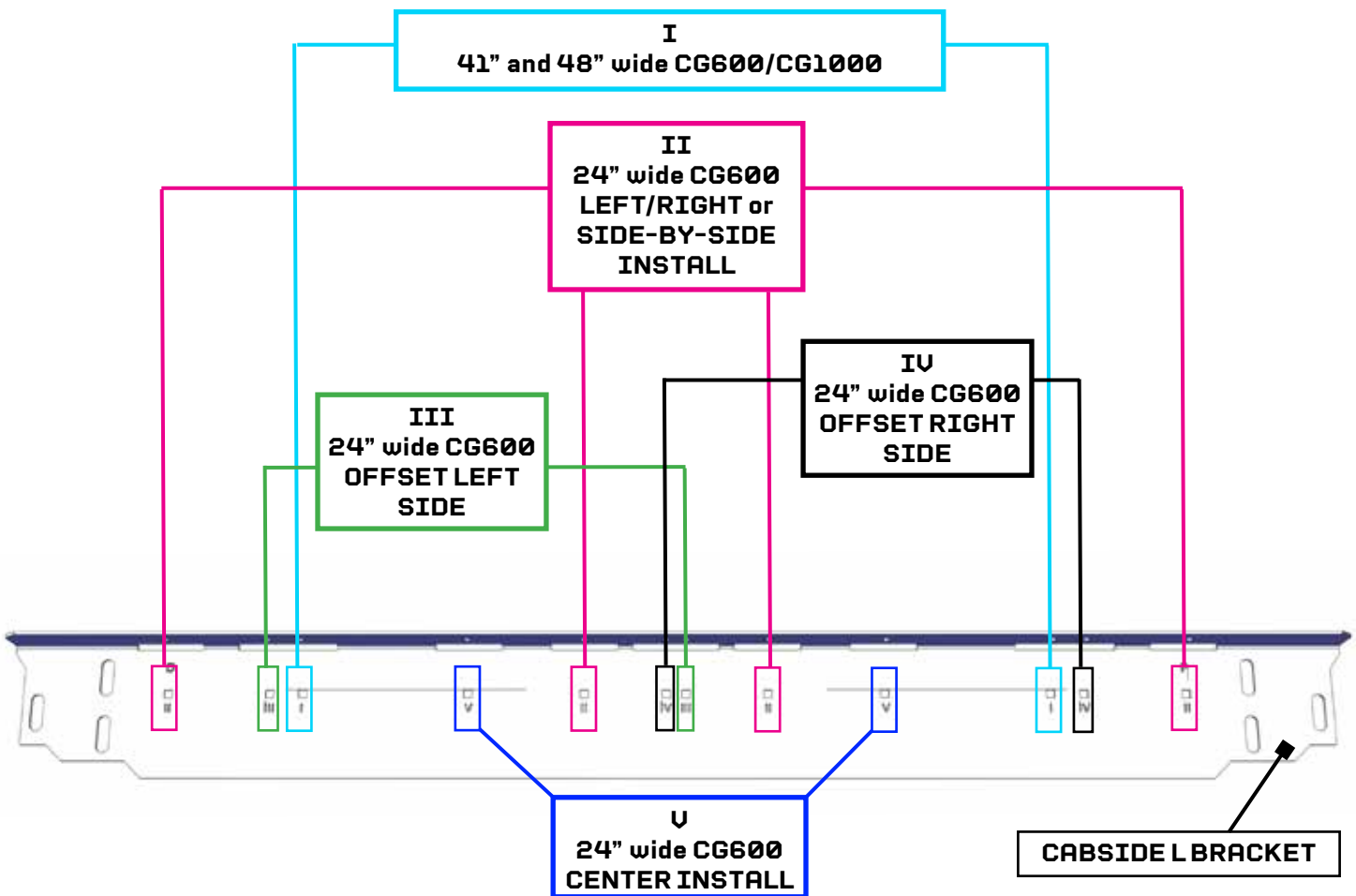


# STEP 2: BRACE YOURSELF

We did it. We made two big dumb brackets to cover all installs for all trucks that have a DECKED drawer system installed.

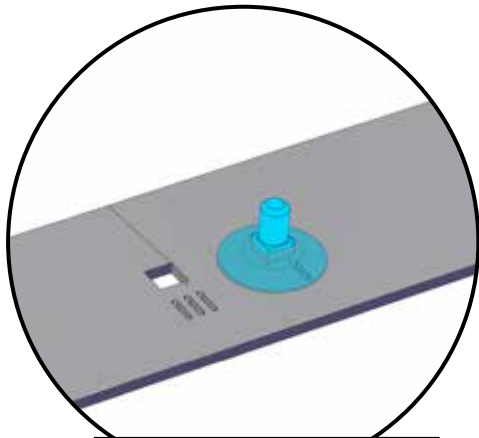
- Centered installs for half-width and full-width CG600/1000's.
- Left, right, offset, or side-by-side half-width CG600's.

1. The cabside big dumb bracket is L-shaped. The big flat bracket is the mid-span bracket.
2. Roman numeral indicators are shown on the brackets for each install location.
3. Loosely install elevator bolts from underneath the cabside L bracket and mid-span bracket (tape them in place to keep them secure) according to the install chart below:

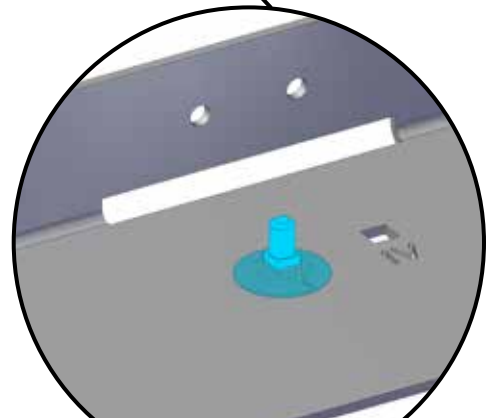




CABSIDE L BRACKET  
POSITION I SHOWN



TAPE FROM BOTTOM TO  
HOLD BOLT IN PLACE



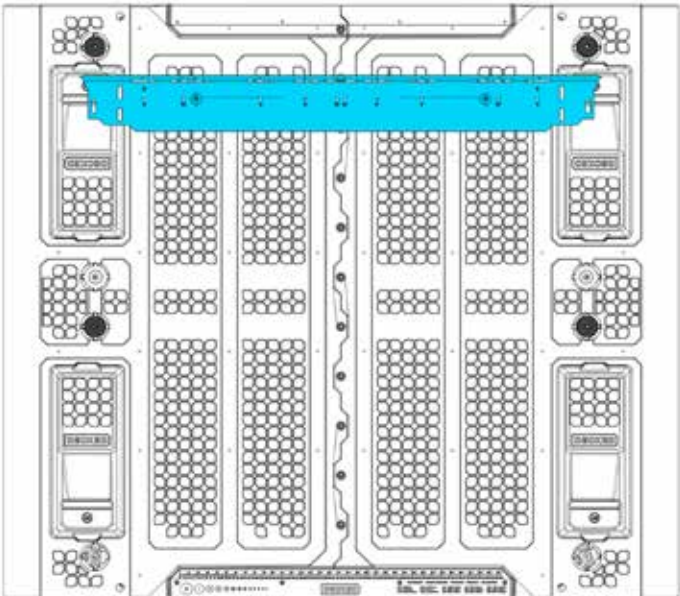
TAPE FROM BOTTOM TO  
HOLD BOLT IN PLACE



FLAT BRACKET  
POSITION I SHOWN

Carefully place the big dumb L-shaped bracket on top of the drawer system, about 8-10" away from the cabside bulkhead. The upstanding edge is placed on the cabside. The elevator bolts should be sticking up.

NOTE: Not all stash bins will be installable/removable in all situations.



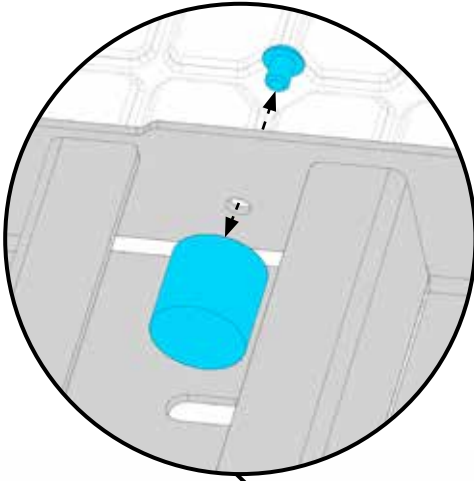
TAILGATE

# STEP 3:

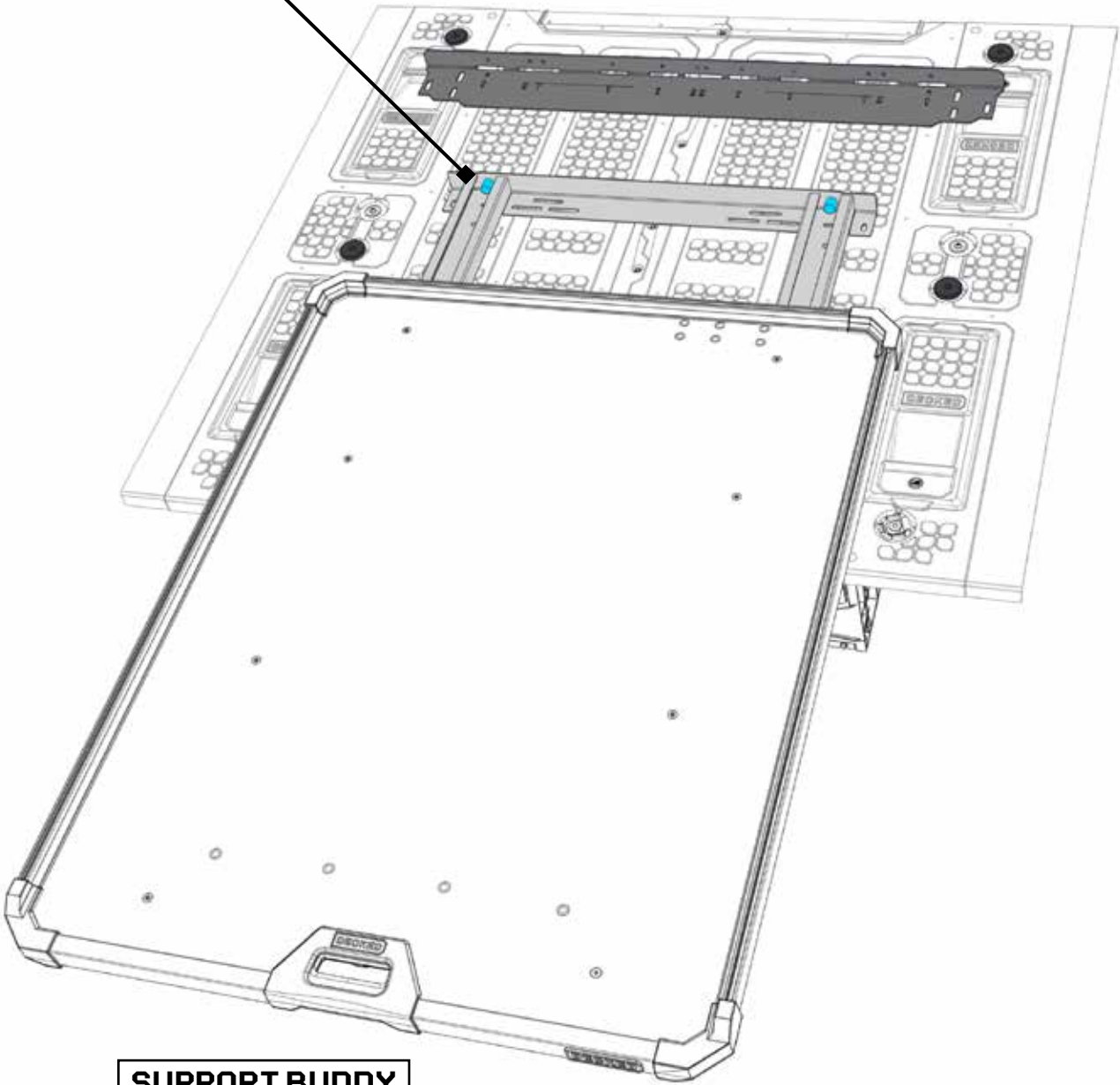
## TO THE TRUCK

---

1. Ask your buddy to help you lift the Cargo Glide unit on top of the drawer system and place in front of the big dumb bracket.
2. Extend the CargoGlide tray one stop. Have your buddy support the tailgate end of the CargoGlide during this step.
3. Remove the rubber bumpers from each CargoGlide unit you are installing with a 5/32" hex wrench.
4. Save the bumpers. You'll use new, longer screws to reinstall them later.



**REMOVE  
BUMPERS**



**SUPPORT BUDDY  
HERE**

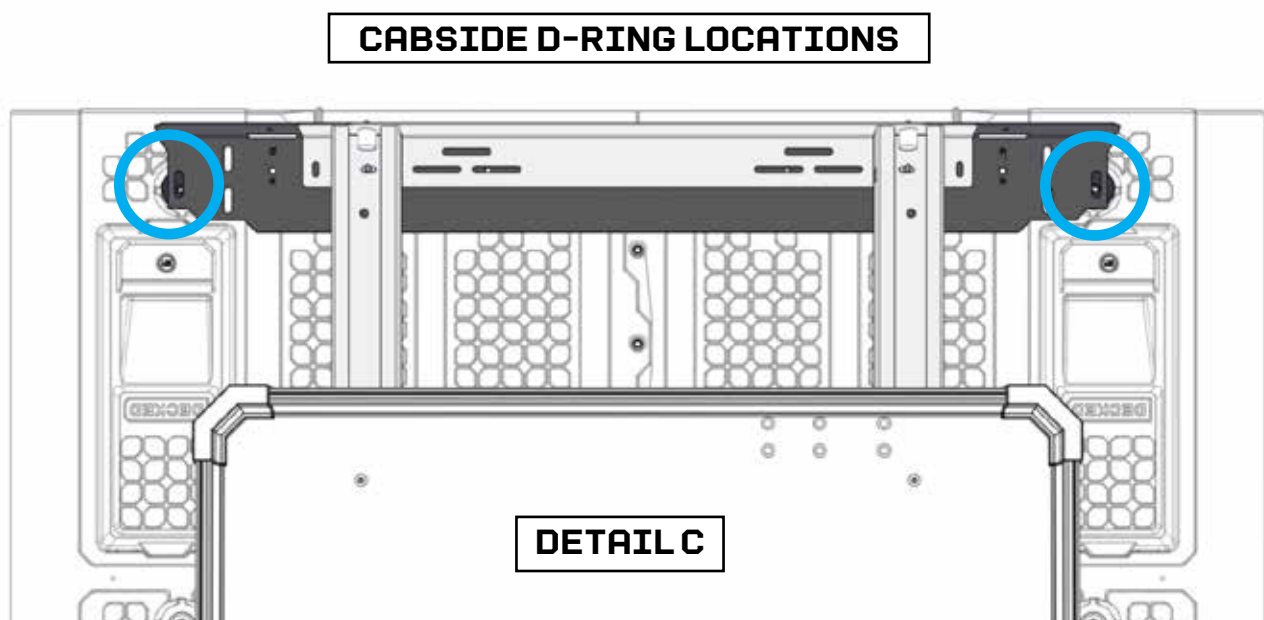
# STEP 4: BRACE YOURSELF

---

1. Drop the CargoGlide unit on top of the big dumb bracket studs you taped in earlier.
2. Align the bumper screw holes in the CargoGlide frame to the holes in the big dumb bracket. **DETAIL A.**
3. Loosely install the nuts onto the big dumb bracket elevator bolt studs.
4. When all nuts are installed, use the new button head cap screw through both brackets to install the bumpers directly in line with the same holes you used for the elevator bolts (their original position).

Hold the bumpers when installing to prevent from turning. Leave hand tight. **DETAIL B.**

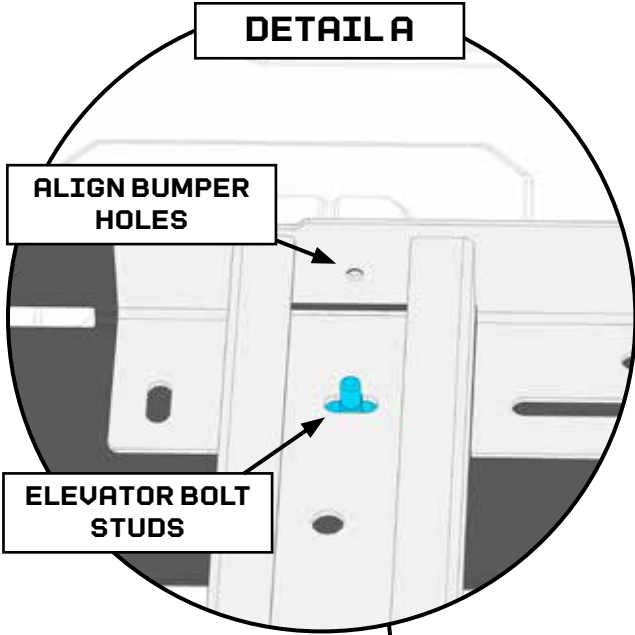
5. Move the CargoGlide and bracket assembly towards the cabside, aligning the mounting holes in the big dumb bracket over the cabside D-Ring locations. **DETAIL C.**



**DETAIL A**

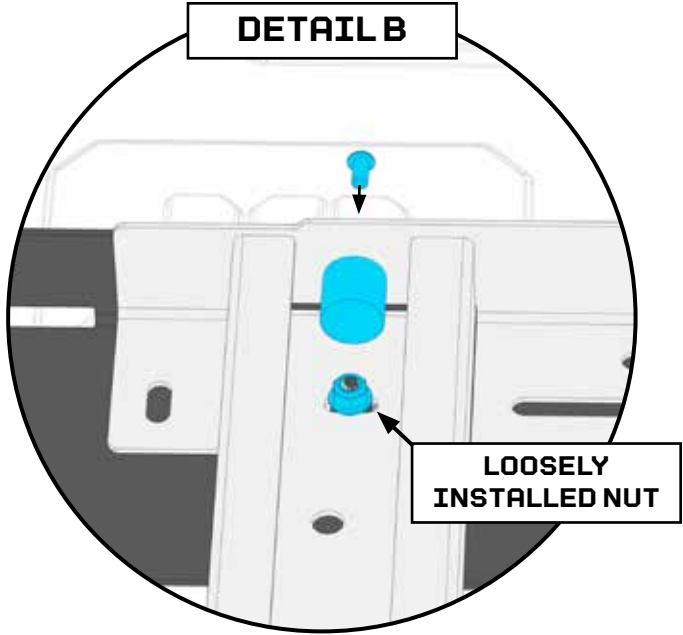
**ALIGN BUMPER HOLES**

**ELEVATOR BOLT STUDS**

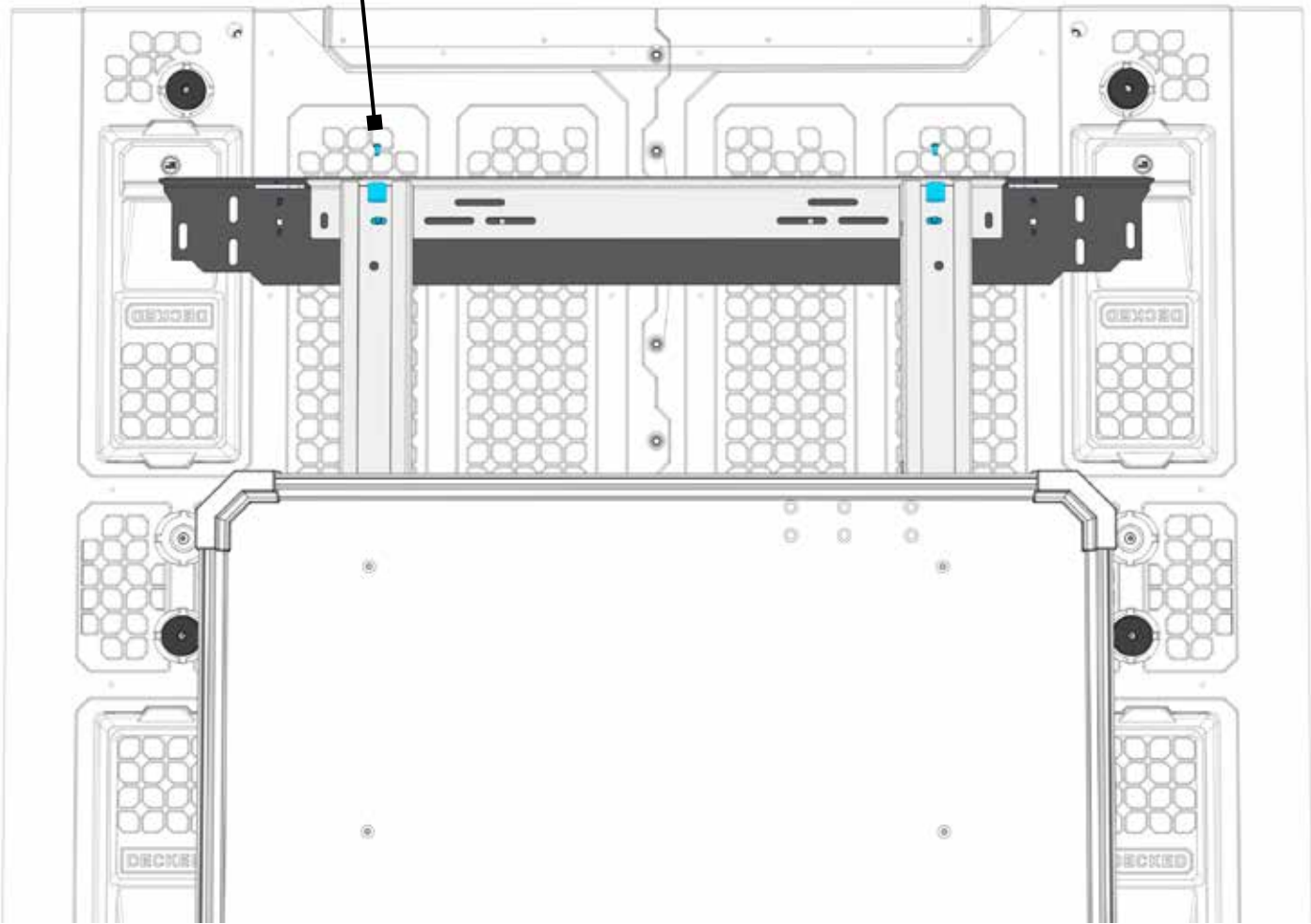


**DETAIL B**

**LOOSELY INSTALLED NUT**



**CABSIDE**



# STEP 5:

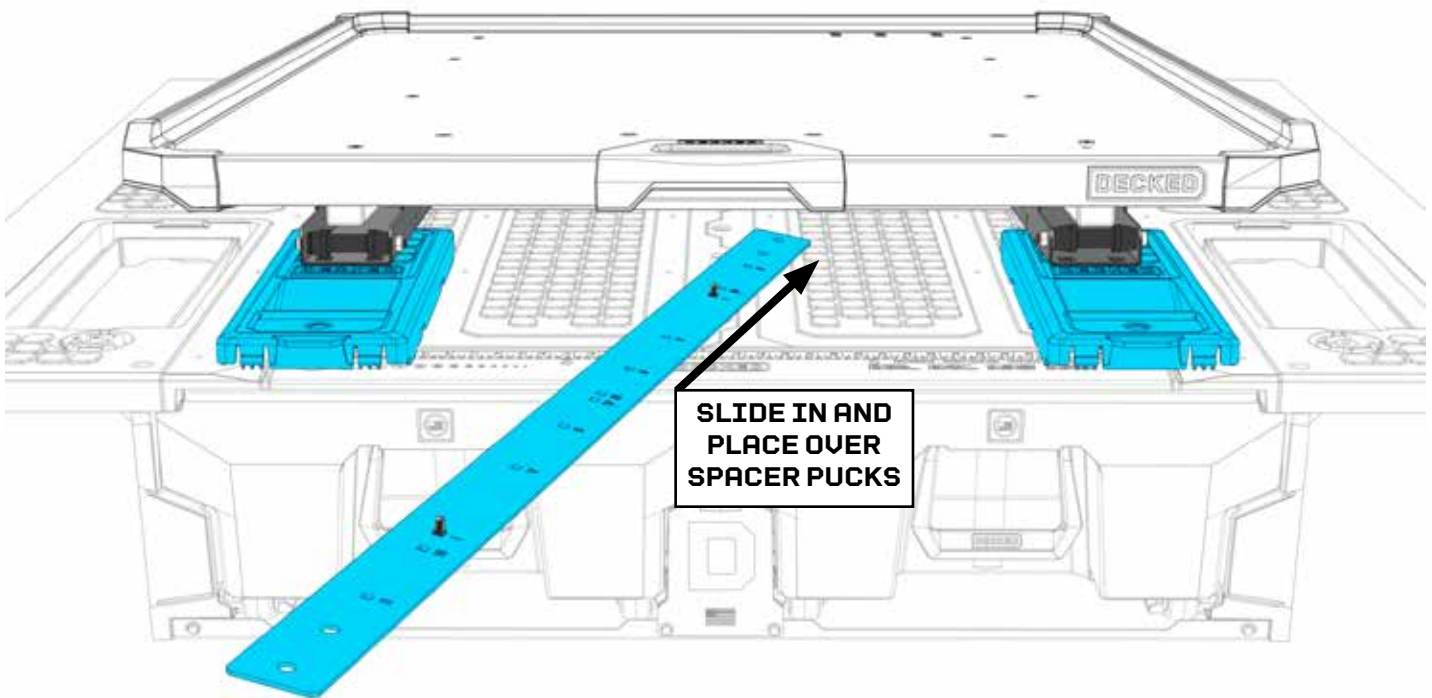
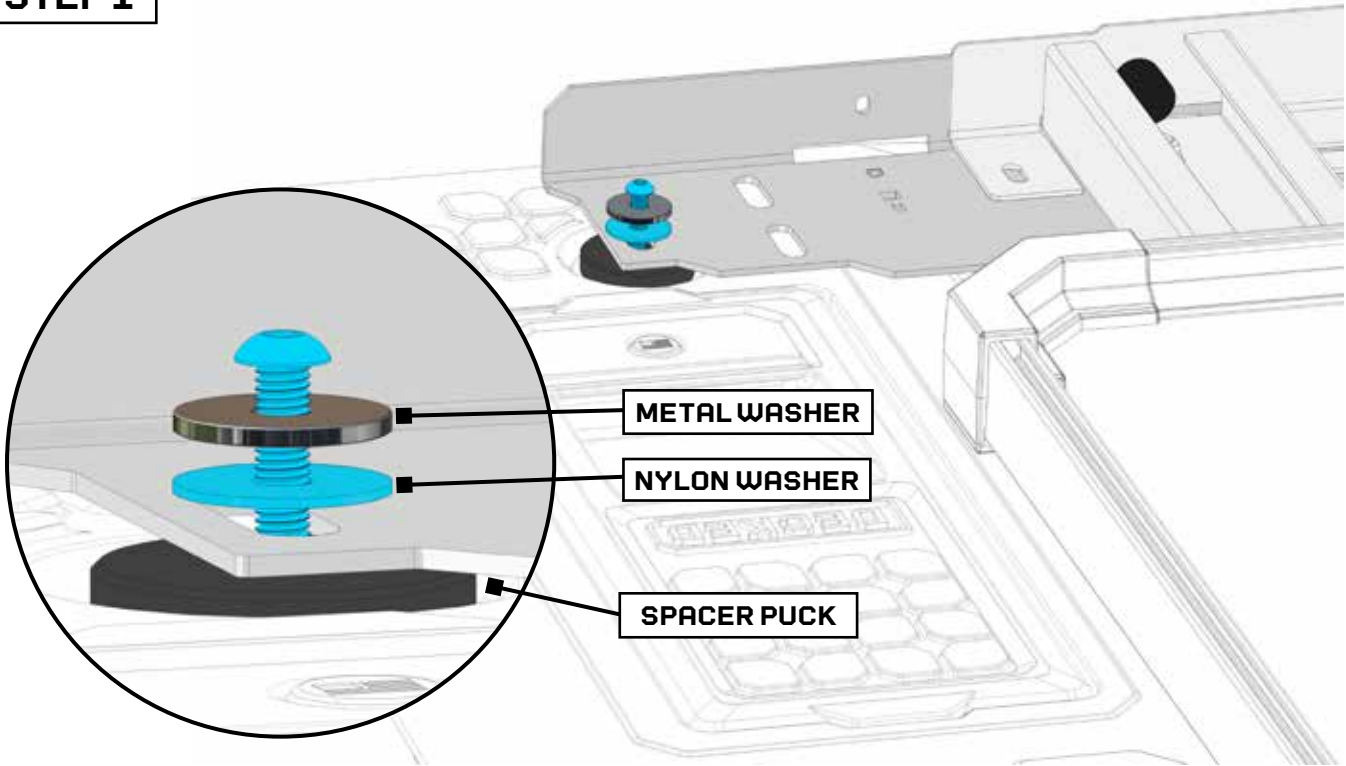
## BOLTING DOWN

---

1. Place the nylon anti-friction washer on top of CargoGlide bracket at cabside D-Ring mounting locations.
2. Place metal fender washers on top of those.
3. Thread the replacement 2.5" tie down bolts through the washers and both brackets and into the tie down holes. Leave threaded, but loose.
4. Fully stow the CargoGlide unit back to the cabside locked position. Confirm the tray is locked.
5. Raise the tailgate side of the CargoGlide by placing 2x4 blocks (or stash bin lids) under each tailgate side CargoGlide base rail.
6. With the elevator bolts installed and taped from the bottom in corresponding mounting holes, slide the the big flat bracket under the CargoGlide(s) and over the spacer pucks placed earlier.

**NOTE:** We have included enough elevator bolts and nuts to complete all installation variations. You may have leftover fasteners.

**STEP 1**



# STEP 6:

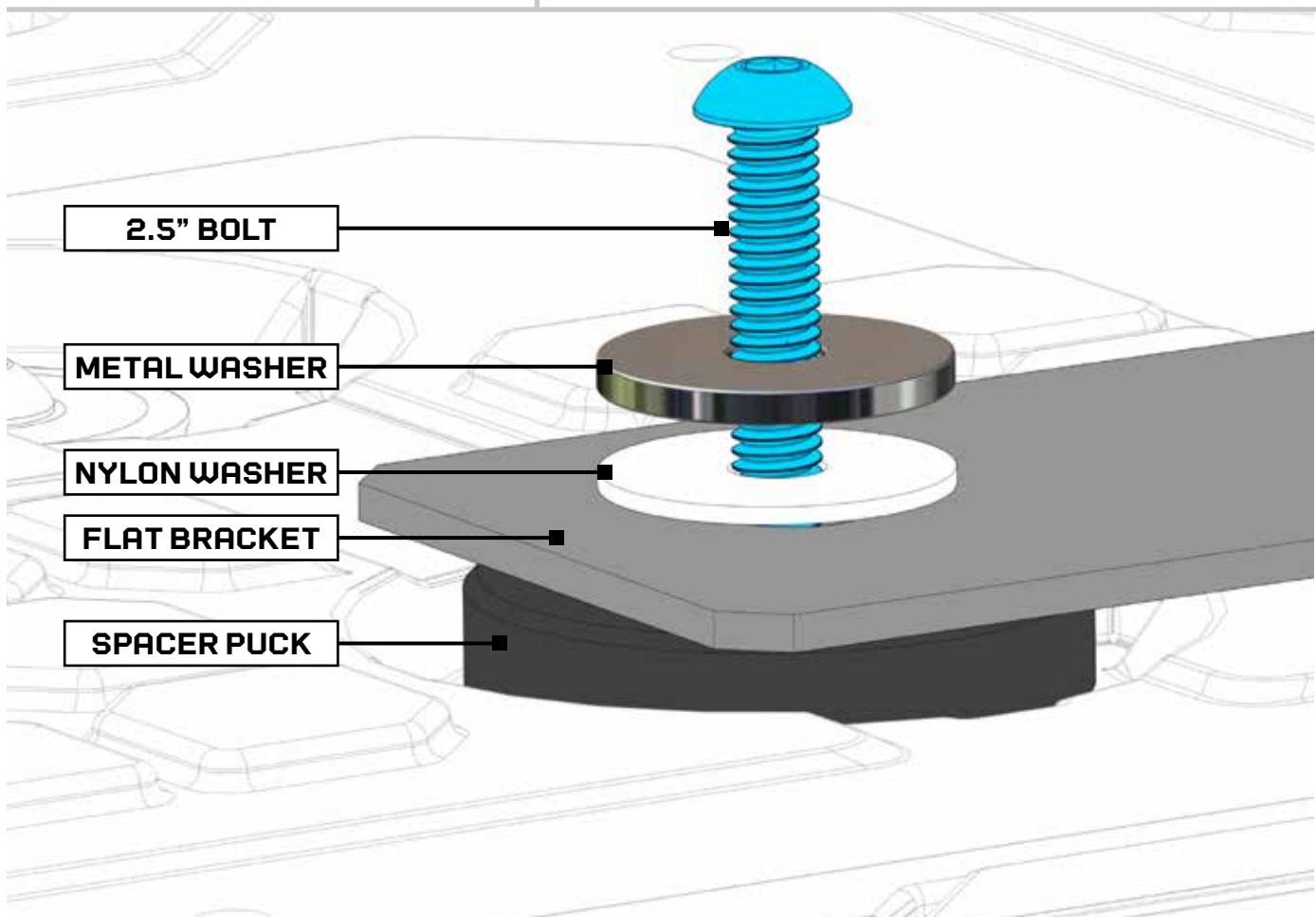
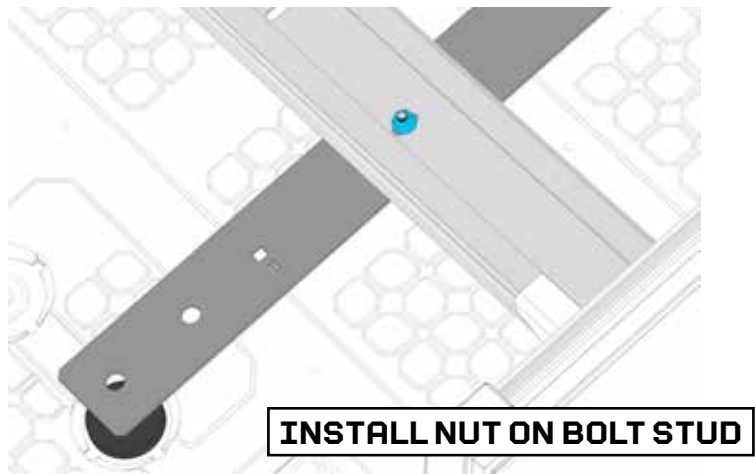
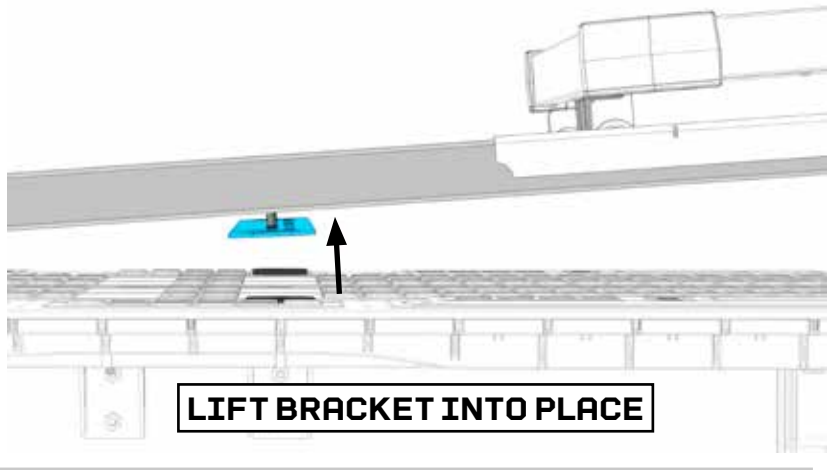
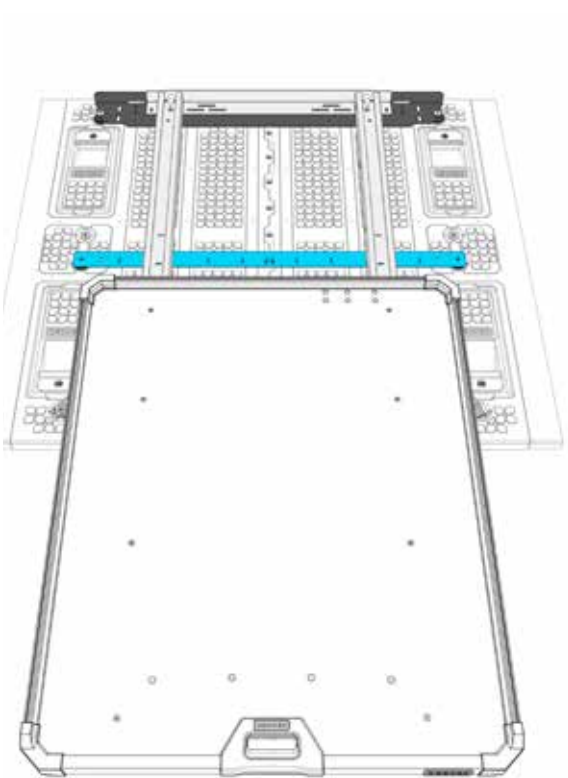
## BIG FLAT BRACKET

---

1. Open the tray far enough to expose the bottom frame crossmember above the big flat bracket.
2. Lift the big flat bracket into position so that the elevator bolt studs are inserted into the mounting holes in the CargoGlide frame.
3. Install a nut on to each elevator bolt stud. Hand tighten. Remove the wood blocks and rest the CG on the drawer system.
4. Position the big flat bracket over the D-Ring tie down locations.
5. Place the nylon anti-friction washer on top of the big flat bracket, then the metal washer.
6. Install the longer tie down bolt from your hardware kit and hand tighten.
7. Check for final fitment. You may need to pull or push the CG unit into optimal position, depending on your drawer system install, truck and desired location.

NOTE: Be sure to leave enough clearance at the cabside for the CG unit to close.

8. When happily positioned, tighten all bolts and nuts.
9. Confirm fitment and fully extend CargoGlide(s). Loosen appropriate fasteners to make small adjustments if necessary.



**CONGRATS,  
GAME CHANGER!**

**YOU DID IT.**

Crack open a cold one of your liking, sit back and admire your work. Now get busy organizin'!



# DECKED PRODUCTS

## LIMITED LIFETIME WARRANTY

(Valid on DECKED Products purchased on or after 8/1/2021)

DECKED LLC, (the "Manufacturer") warrants the original purchaser only that DECKED Truck and Van Products (The "DECKED" Product) will be free from defects in material and workmanship from the date of purchase and continuing for the expected lifetime of the DECKED Product. The DECKED Product must be registered by the original purchaser with DECKED, LLC via its website at, [decked.com/register](http://decked.com/register), and a copy of the original sales receipt must be supplied to the Manufacturer at the time a warranty claim is made. This warranty terminates if the original purchaser transfers the DECKED Product to any other person or vehicle.

### WHAT IS COVERED

All DECKED Products identified above on or after August 1, 2021. **DECKED's Limited Lifetime Warranty applies to US and Canadian customers only. International shipments are covered by DECKED's 3 Year Limited Warranty.**

### WHAT WE WILL DO TO CORRECT PROBLEMS

Subject to the limitations and exclusions described in this limited warranty, the Manufacturer will remedy defects in workmanship or materials by providing one of the following remedies at its option and without charge to the original purchaser for parts: (a) repairing the defective portion of the DECKED Product or (b) replacing the entire DECKED Product. In addition, the Manufacturer may elect at its option not to repair or replace the DECKED Product, but rather issue to the original purchaser a refund equal to the purchase price paid for the DECKED Product or a credit to be used towards the purchase of a new DECKED Product.

### WHAT IS NOT COVERED

This limited warranty expressly excludes:

- Damage or defects caused by normal wear and tear, cosmetic rust, scratches, accidents, unlawful vehicle operation, installation in a non-supported vehicle or installed in a vehicle which does not match the DECKED Product's SKU-intended fitment or use, or modification of the product, or any types of repair of a DECKED Product other than those authorized or provided by the Manufacturer.
- Damage or defects resulting from conditions beyond the Manufacturer's control and specifications including, but not limited to modification, misuse, overloading, or failure to assemble, install or use the DECKED Product in accordance with the Manufacturer's written instructions or guidelines included with the DECKED Product or separately made available to the original purchaser.
- Damage to the contents of the DECKED Product or vehicle.
- TO THE EXTENT PERMITTED BY LAW, IN NO EVENT SHALL THE MANUFACTURER BE LIABLE FOR ANY INCIDENTAL, SPECIAL, INDIRECT, OR CONSEQUENTIAL DAMAGES, INCLUDING ECONOMIC LOSS, WHETHER RESULTING FROM NONPERFORMANCE, USE, MISUSE, OR INABILITY TO USE THE DECKED PRODUCT OR THE MANUFACTURER'S NEGLIGENCE.

### NO OTHER EXPRESS WARRANTY APPLIES

This Limited Lifetime Warranty is the sole and exclusive warranty for DECKED Products. No employee, agent, dealer, or other person is authorized to alter this warranty or make any other warranty on behalf of DECKED LLC.

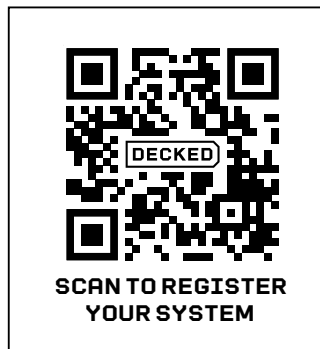
### NOTIFICATION PROCEDURES

If the DECKED Product does not conform with the terms of this limited warranty, the original purchaser must promptly notify the Manufacturer in writing upon discovery of the nonconformity. In order to receive remedies under this limited warranty, a warranty claim must have been registered with DECKED LLC by the original purchaser, must describe the nature of the products nonconformity, include a copy of the original sales receipt, invoice, or other proof of purchase and be accompanied with photos or video. Repairs or modifications made to the DECKED Product by other than the Manufacturer or its authorized agent will nullify this limited warranty. Coverage under this limited warranty is conditioned at all times upon the owner's compliance with these required registration, notification, and repair procedures.

Product registration may be performed at:  
**[decked.com/register](http://decked.com/register)**

Warranty claims must include reciprocal contact information and may be made via certified mail or email to:

DECKED Warranty and Claims  
PO Box 885  
Ketchum, ID 83340  
[warranty@decked.com](mailto:warranty@decked.com)  
208-806-0251



Register your system at  
[decked.com/warranty](http://decked.com/warranty)

### PATENTS

#### MIDSIZE DRAWER SYSTEM:

US10988087B2, 112017005448.6, AU2017348386A1, 3042037

#### FULL SIZE DRAWER SYSTEM:

US9527454-B2, USD719905 S, US9168874 B2, CA2969118A1

#### TOOL BOX:

US20210062581A1

For more information on our patents visit: [decked.com/patents](http://decked.com/patents)

**DECKED**